

Powerful. Beautiful.

## Excellence · Innovation

IDD57150

IDD58150

IDD59150



\*front-screen button: the right side. widescreen button: the lower side

15" XGA Industrial Arm-Mounted Operation Panel

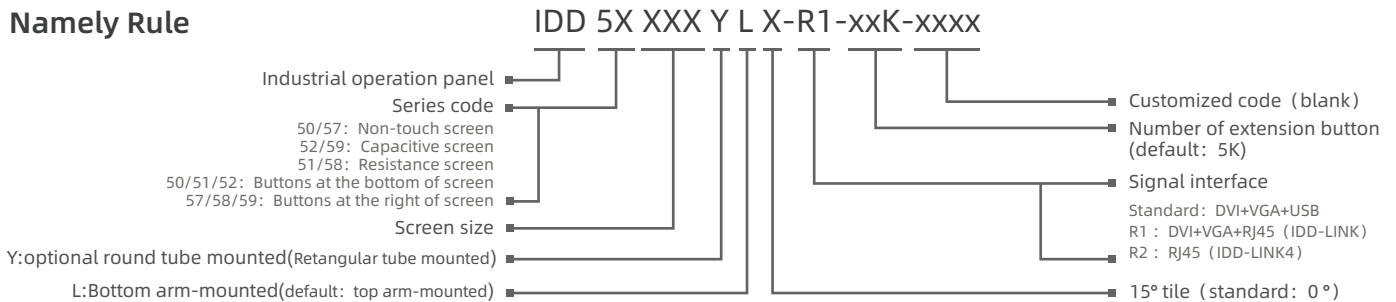
# IDD57150 & IDD58150 & IDD59150



## Features

- Display type: 15", 15.6", 18.5", 19", 21.5", 24"
- Front panel/back cover: Aluminium-magnesium alloy
- IP protection level: IP65
- Screen Type: Single point resistive touchscreen, Multi-point capacitive touchscreen, Non-touch screen
- OS: Windows7, Window8, Windows10, Windows11, Linux, etc
- Interface: DVI, HDMI, VGA, 2xUSB
- Optional R1(IDD-LINK), Long distance USB signal output, support 50m
- Optional R2(IDD-LINK4), Video and USB are transmitted via a single CAT6 network cable, Transmission distance up to 100m
- DC 9~36V
- Customized LOGO and button

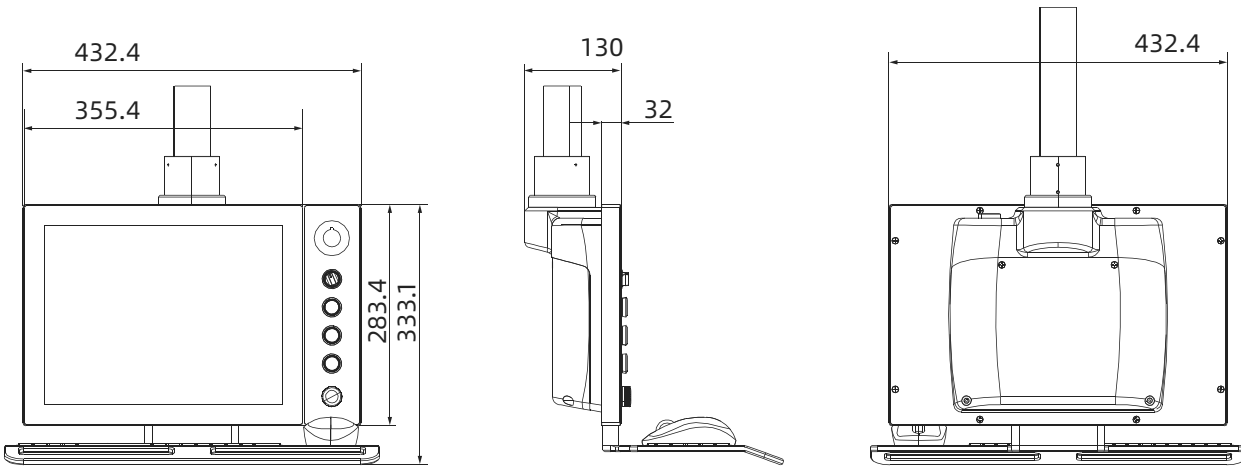
## Namely Rule



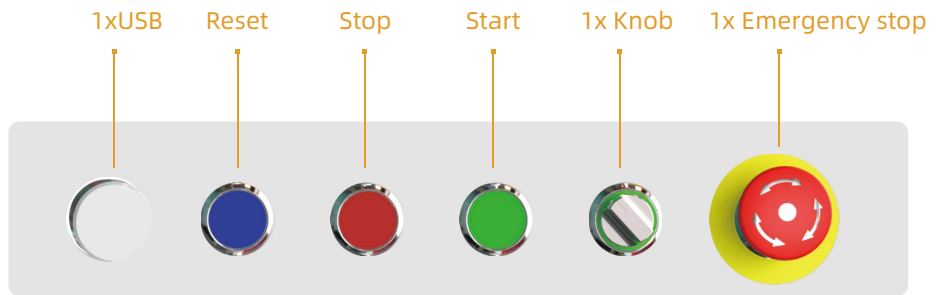
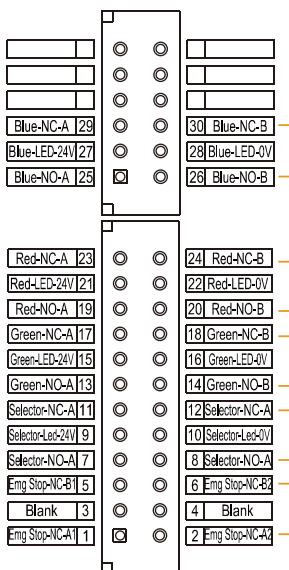
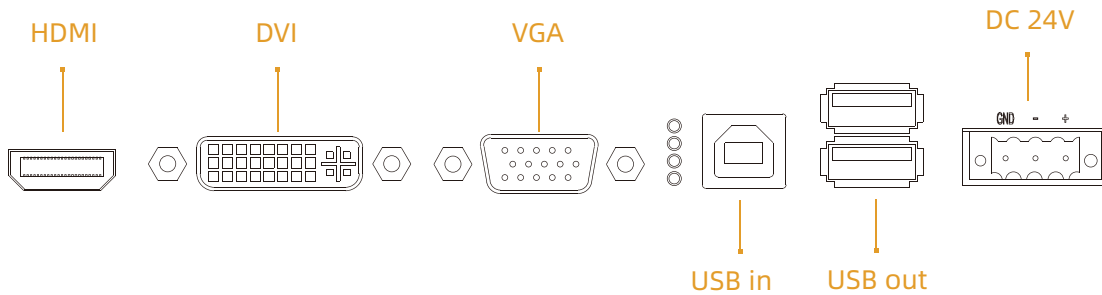
## Specifications

Model	IDD57150&IDD58150&IDD59150	
Routine	Control button	Set contrast ratio and luminance via OSD at the back cover
	Housing	Front panel & back cover: Aluminium-magnesium alloy, Grounding isolation protection
Power	Input Voltage	DC 9~36V
	Power	11W
Physical	Display Port	HDMI
	Dimension (WxHxD)	(Keyboard bay not included) 432.4mm x 283.4mm x 130mm (17.02" x 11.16" x 5.12")
	Net Weight(kg)	(Keyboard bay not included) 6.6kg
	Mounted	4460 or 48 arm-mounted
LCD	Display Type	15" XGA TFT
	Resolution	1024x768
	Colors	16.7M
	Active Area (WxH/mm)	304.1mm x 228.1mm (11.97" x 8.98")
	Backlight	LED
	MTBF (hour)	50000hrs
	Pixel Pitch (HxV)	0.297x0.297
	Luminance(cd/m2)	420cd/m2
	Contrast Ratio	1000:1
	Viewing Angle	(L) 80/ (R) 80/ (U) 80/ (D) 80
Touchscreen	Touch Type	Single point resistive touchscreen & Multi-point capacitive touchscreen & Non-touch screen
	Light Transmission	>85%
	Controller	USB interface
	Driver Support	Windows7, Window8, Windows10, Windows11, Linux, etc
	Multi-touch	10 points
	Surface Hardness	Resistive touchscreen: Mohs' Number >= 3H; Capacitive touchscreen: Mohs' Number 7H
Environment	Operating Temperature	-10~65°C
	Storage Temperature	-20~70°C
	Relative Humidity	5~95% (Non condensation)
	Shock	Operating 10G peak acceleration(11 ms duration), follow IEC 60068-2-27
	Vibration	Operating Random Vibration Test 5~500Hz, 1Grms@with HDD; 2Grms@with SSD, follow IEC 60068-2-64
	EMC	CE/FCC Class A
	Protection level	IP65

Technical Drawings unit: mm



External I/O View



Note: The figure above shows the number of standard buttons  
The number and brand of buttons can be customized

## Ordering Information

Part Number	Description
IDD58150	15" TFT LCD / Resistive touch screen / DC9~36V Input / Resolution 1024x768
IDD59150	15" TFT LCD / Capacitive touch screen / DC9~36V Input / Resolution 1024x768
IDD57150	15" TFT LCD / Non-touch screen / DC9~36V Input / Resolution 1024x768

## Optional Accessories

VGA	VGA 3m / 5m
DVI	DVI 3m / 5m / 8m / 10m
USB	USB 3m / 5m / 10m
HDMI	HDMI 3m / 5m / 10m

## Packing List

Terminal	3 pin spring card terminal
----------	----------------------------

Note: Package contents are subject to change without prior notice

Powerful. Beautiful.

**Excellence · Innovation**

IDD50156

IDD51156

IDD52156



\*front-screen button: the right side. widescreen button: the lower side

**Shanghai Panelmate Electronics Co., Ltd.**

15.6" WXGA Industrial Arm-Mounted Operation Panel

**PANELMATE**  
Creative HMI Solution

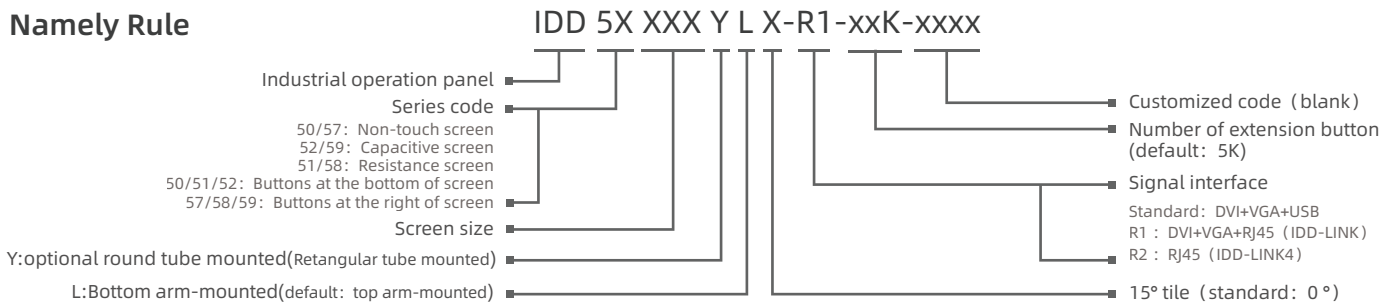
# IDD50156 & IDD51156 & IDD52156



## Features

- Display type: 15", 15.6", 18.5", 19", 21.5", 24"
- Front panel/back cover: Aluminium-magnesium alloy
- IP protection level: IP65
- Screen Type: Single point resistive touchscreen, Multi-point capacitive touchscreen, Non-touch screen
- OS: Windows7, Window8, Windows10, Windows11, Linux, etc
- Interface: DVI, HDMI, VGA, 2xUSB
- Optional R1(IDD-LINK), Long distance USB signal output, support 50m
- Optional R2(IDD-LINK4), Video and USB are transmitted via a single CAT6 network cable, Transmission distance up to 100m
- DC 9~36V
- Customized LOGO and button

## Namely Rule

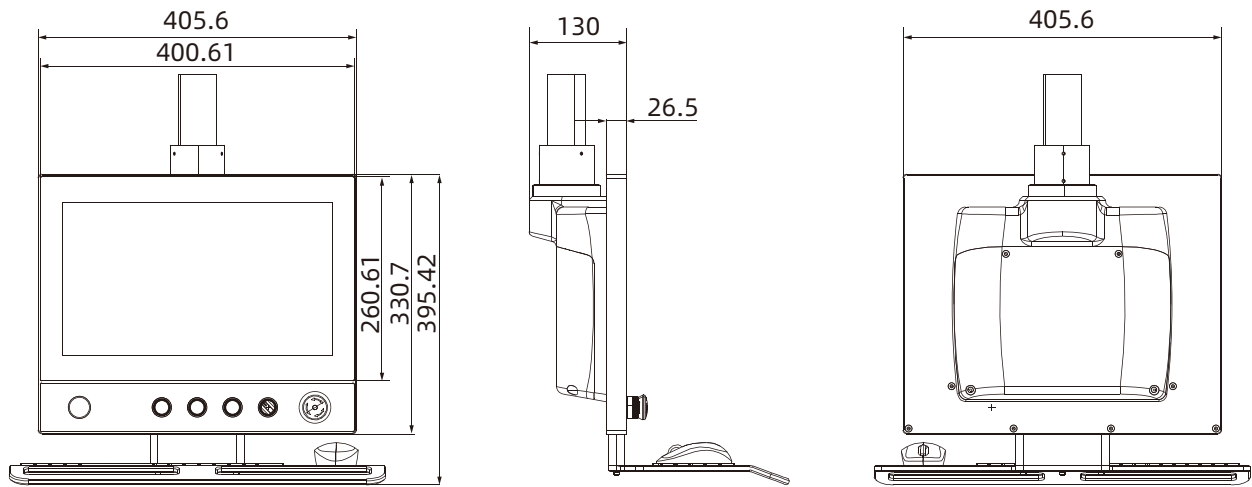


## Specifications

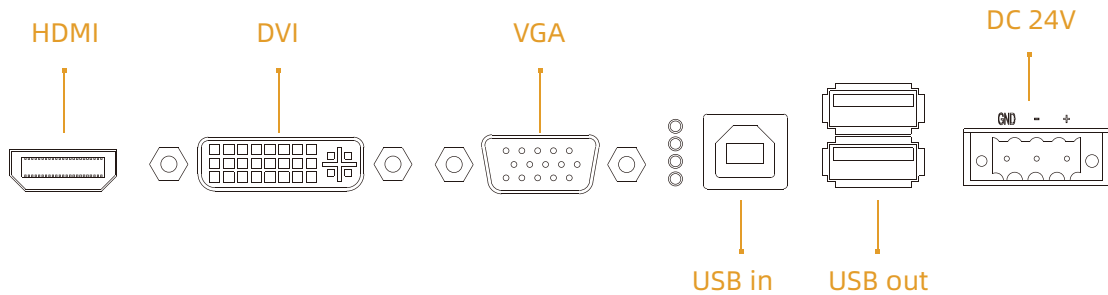
Model	IDD50156&IDD51156&IDD52156	
Routine	Control button	Set contrast ratio and luminance via OSD at the back cover
	Housing	Front panel & back cover: Aluminium-magnesium alloy, Grounding isolation protection
Power	Input Voltage	DC 9~36V
	Power	18W
Physical	Display Port	HDMI
	Dimension (WxHxD)	(Keyboard bay not included) 405.6mm x 330.7mm x 130mm (15.97" x 13.02" x 5.12")
	Net Weight(kg)	(Keyboard bay not included) 6.75kg
	Mounted	4460 or 48 arm-mounted
LCD	Display Type	15.6" WXGA TFT
	Resolution	1366x768
	Colors	16.7M
	Active Area (WxH/mm)	344.23mmx193.54mm (13.55"x7.62")
	Backlight	LED
	MTBF (hour)	50000hrs
	Pixel Pitch (HxV)	0.252x0.252
	Luminance(cd/m2)	300cd/m2
	Contrast Ratio	500:1
	Viewing Angle	(L) 85/ (R) 85/ (U) 85/ (D) 85
Touchscreen	Touch Type	Single point resistive touchscreen & Multi-point capacitive touchscreen & Non-touch screen
	Light Transmission	>85%
	Controller	USB interface
	Driver Support	Windows7, Window8, Windows10, Windows11, Linux, etc
	Multi-touch	10 points
	Surface Hardness	Resistive touchscreen: Mohs' Number >= 3H; Capacitive touchscreen: Mohs' Number 7H
Environment	Operating Temperature	0~60°C
	Storage Temperature	-20~60°C
	Relative Humidity	5~95% (Non condensation)
	Shock	Operating 10G peak acceleration(11 ms duration), follow IEC 60068-2-27
	Vibration	Operating Random Vibration Test 5~500Hz, 1Grms@with HDD; 2Grms@with SSD, follow IEC 60068-2-64
	EMC	CE/FCC Class A
Protection level	IP65	

## IDD50156 & IDD51156 & IDD52156

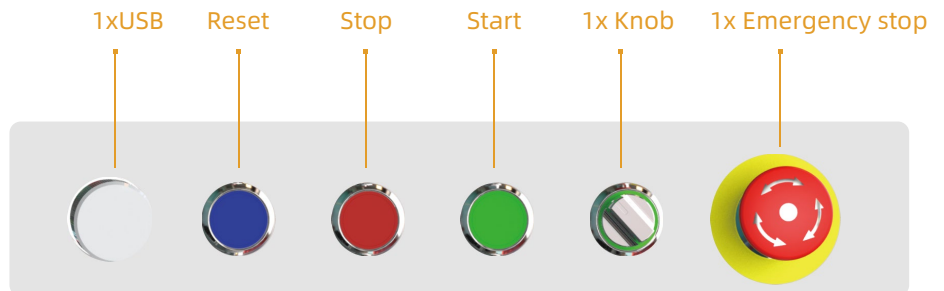
### Technical Drawings unit: mm



### External I/O View



Blue-NC-A	29	Blue-NC-B	30
Blue-LED-24V	27	Blue-LED-0V	28
Blue-NO-A	25	Blue-NO-B	26
Red-NC-A	23	Red-NC-B	24
Red-LED-24V	21	Red-LED-0V	22
Red-NO-A	19	Red-NO-B	20
Green-NC-A	17	Green-NC-B	18
Green-LED-24V	15	Green-LED-0V	16
Green-NO-A	13	Green-NO-B	14
Selector-NC-A	11	Selector-NC-A	12
Selector-LED-24V	9	Selector-LED-0V	10
Selector-NO-A	7	Selector-NO-A	8
Emg Stop-NC-B	5	Emg Stop-NC-B	6
Blank	3	Blank	4
Emg Stop-NC-A	1	Emg Stop-NC-A	2



Note: The figure above shows the number of standard buttons. The number and brand of buttons can be customized.

## Ordering Information

Part Number	Description
IDD51156	15.6" TFT LCD / Resistive touch screen / DC9~36V Input / Resolution 1366x768
IDD52156	15.6" TFT LCD / Capacitive touch screen / DC9~36V Input / Resolution 1366x768
IDD50156	15.6" TFT LCD / Non-touch screen / DC9~36V Input / Resolution 1366x768

## Optional Accessories

VGA	VGA 3m / 5m
DVI	DVI 3m / 5m / 8m / 10m
USB	USB 3m / 5m / 10m
HDMI	HDMI 3m / 5m / 10m

## Packing List

Terminal	3 pin spring card terminal
----------	----------------------------

Note: Package contents are subject to change without prior notice



Powerful. Beautiful.

## Excellence · Innovation

IDD50185

IDD51185

IDD52185



\*front-screen button: the right side. widescreen button: the lower side

# Shanghai Panelmate Electronics Co., Ltd.

18.5" WXGA Industrial Arm-Mounted Operation Panel

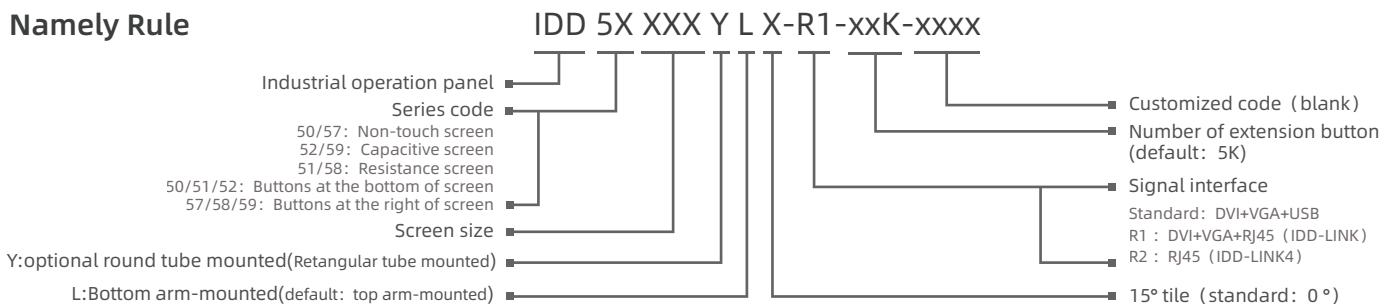
# IDD50185 & IDD51185 & IDD52185



## Features

- Display type: 15", 15.6", 18.5", 19", 21.5", 24"
- Front panel/back cover: Aluminium-magnesium alloy
- IP protection level: IP65
- Screen Type: Single point resistive touchscreen, Multi-point capacitive touchscreen, Non-touch screen
- OS: Windows7, Window8, Windows10, Windows11, Linux, etc
- Interface: DVI, HDMI, VGA, 2xUSB
- Optional R1(IDD-LINK), Long distance USB signal output, support 50m
- Optional R2(IDD-LINK4), Video and USB are transmitted via a single CAT6 network cable, Transmission distance up to 100m
- DC 9~36V
- Customized LOGO and button

## Namely Rule

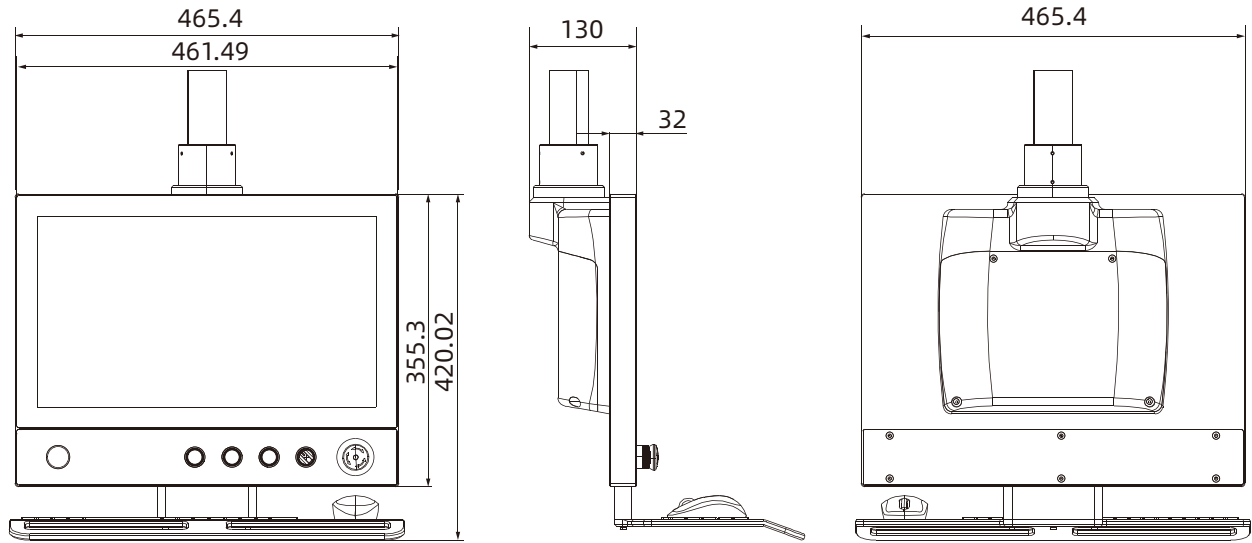


## Specifications

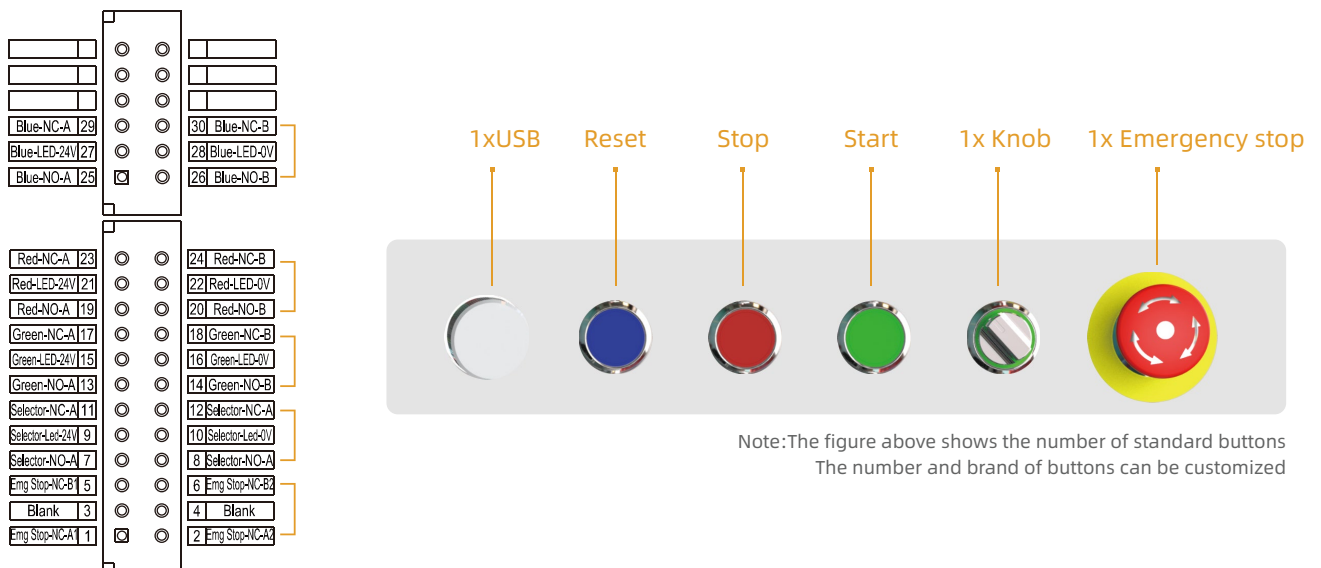
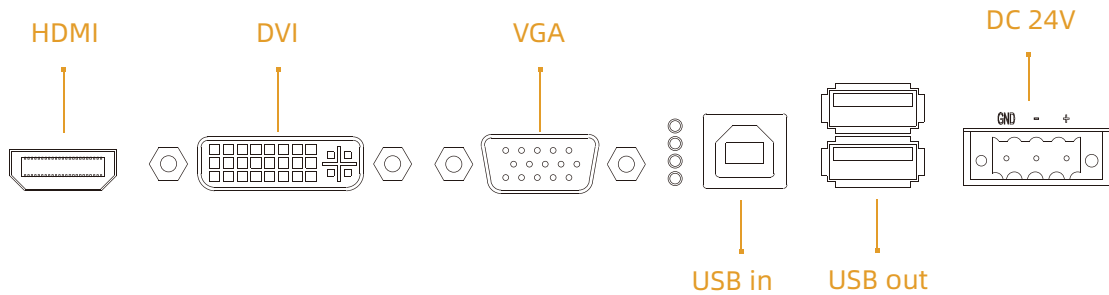
Model	IDD50185&IDD51185&IDD52185	
Routine	Control button	Set contrast ratio and luminance via OSD at the back cover
	Housing	Front panel & back cover: Aluminium-magnesium alloy, Grounding isolation protection
Power	Input Voltage	DC 9~36V
	Power	16W
Physical	Display Port	HDMI
	Dimension (WxHxD)	(Keyboard bay not included) 465.4mm x 355.3mm x 130mm (18.32" x 13.99" x 5.12")
	Net Weight(kg)	(Keyboard bay not included) 9.15kg
	Mounted	4460 or 48 arm-mounted
LCD	Display Type	18.5" WXGA TFT
	Resolution	1366x768
	Colors	16.7M
	Active Area (WxH/mm)	409.8mmx230.4mm (16.13"x9.07")
	Backlight	LED
	MTBF (hour)	30000hrs
	Pixel Pitch (HxV)	0.3x0.3
	Luminance(cd/m2)	500cd/m2
	Contrast Ratio	1000:1
	Viewing Angle	(L) 89/ (R) 89/ (U) 89/ (D) 89
Touchscreen	Touch Type	Single point resistive touchscreen & Multi-point capacitive touchscreen & Non-touch screen
	Light Transmission	>85%
	Controller	USB interface
	Driver Support	Windows7, Window8, Windows10, Windows11, Linux, etc
	Multi-touch	10 points
	Surface Hardness	Resistive touchscreen: Mohs' Number >= 3H; Capacitive touchscreen: Mohs' Number 7H
Environment	Operating Temperature	0~50°C
	Storage Temperature	-20~60°C
	Relative Humidity	5~95% (Non condensation)
	Shock	Operating 10G peak acceleration(11 ms duration), follow IEC 60068-2-27
	Vibration	Operating Random Vibration Test 5~500Hz, 1Grms@with HDD; 2Grms@with SSD, follow IEC 60068-2-64
	EMC	CE/FCC Class A
Protection level	IP65	

**IDD50185 & IDD51185 & IDD52185**

**Technical Drawings** unit: mm



**External I/O View**



Note: The figure above shows the number of standard buttons. The number and brand of buttons can be customized.

## Ordering Information

Part Number	Description
IDD51185	18.5" TFT LCD / Resistive touch screen / DC9~36V Input / Resolution 1366x768
IDD52185	18.5" TFT LCD / Capacitive touch screen / DC9~36V Input / Resolution 1366x768
IDD50185	18.5" TFT LCD / Non-touch screen / DC9~36V Input / Resolution 1366x768

## Optional Accessories

VGA	VGA 3m / 5m
DVI	DVI 3m / 5m / 8m / 10m
USB	USB 3m / 5m / 10m
HDMI	HDMI 3m / 5m / 10m

## Packing List

Terminal	3 pin spring card terminal
----------	----------------------------

Note: Package contents are subject to change without prior notice

Powerful. Beautiful.

## Excellence · Innovation

IDD57190

IDD58190

IDD59190



\*front-screen button: the right side. widescreen button: the lower side

# Shanghai Panelmate Electronics Co., Ltd.

19" SXGA Industrial Arm-Mounted Operation Panel

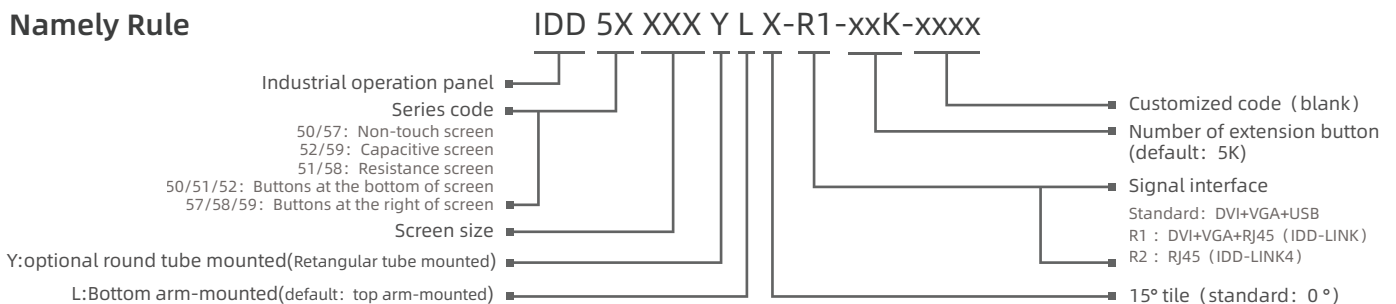
# IDD57190 & IDD58190 & IDD59190



## Features

- Display type: 15", 15.6", 18.5", 19", 21.5", 24"
- Front panel/back cover: Aluminium-magnesium alloy
- IP protection level: IP65
- Screen Type: Single point resistive touchscreen, Multi-point capacitive touchscreen, Non-touch screen
- OS: Windows7, Window8, Windows10, Windows11, Linux, etc
- Interface: DVI, HDMI, VGA, 2xUSB
- Optional R1(IDD-LINK), Long distance USB signal output, support 50m
- Optional R2(IDD-LINK4), Video and USB are transmitted via a single CAT6 network cable, Transmission distance up to 100m
- DC 9~36V
- Customized LOGO and button

## Namely Rule

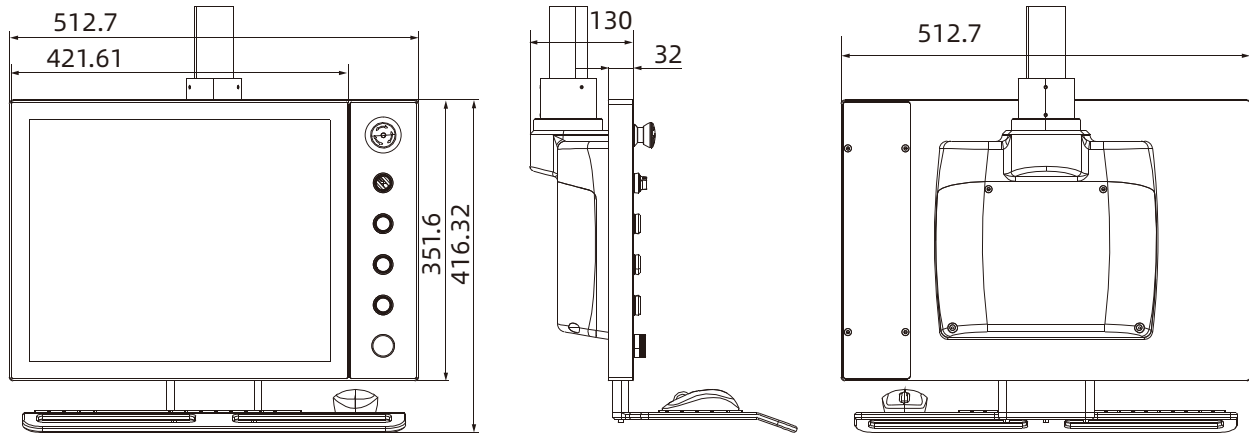


## Specifications

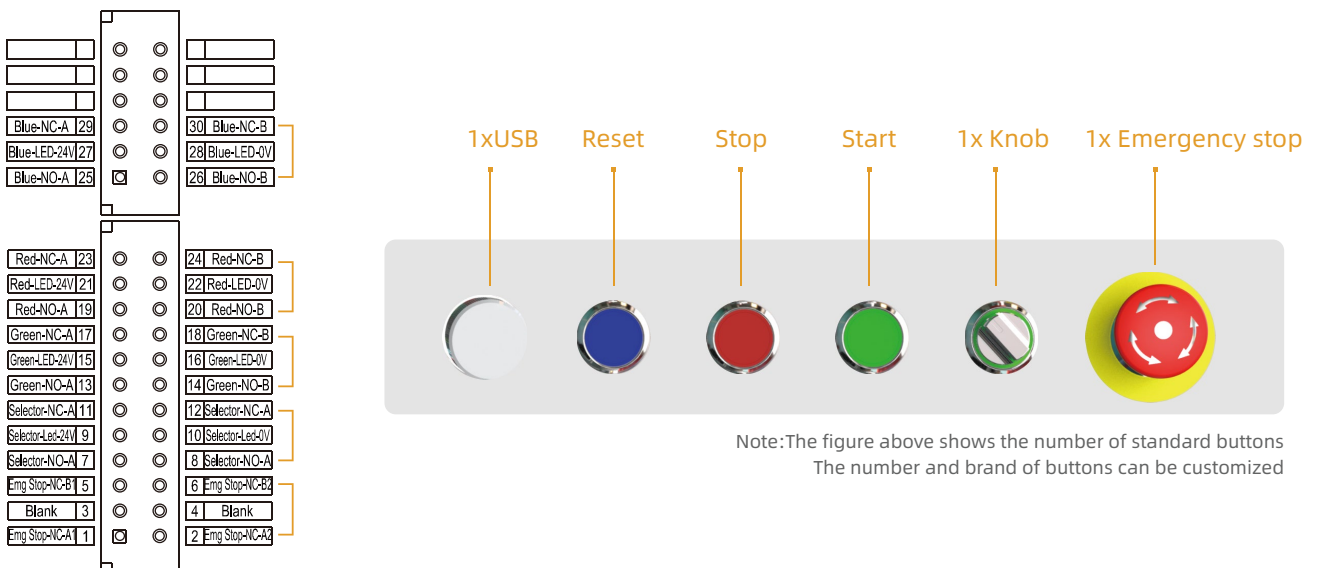
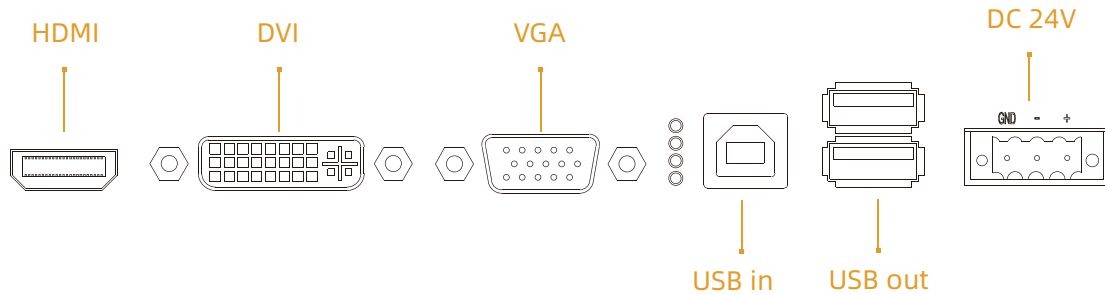
Model	IDD57190&IDD58190&IDD59190	
Routine	Control button	Set contrast ratio and luminance via OSD at the back cover
	Housing	Front panel & back cover: Aluminium-magnesium alloy, Grounding isolation protection
Power	Input Voltage	DC 9~36V
	Power	14 W
Physical	Display Port	HDMI
	Dimension (WxHxD)	(Keyboard bay not included) 512.7mm x 351.6mm x 130mm (20.19" x 13.84" x 5.12")
	Net Weight(kg)	(Keyboard bay not included) 9.95kg
	Mounted	4460 or 48 arm-mounted
LCD	Display Type	19" SXGA TFT
	Resolution	1280x1024
	Colors	16.7M
	Active Area (WxH/mm)	376.32mmx301.06mm (14.82"x11.85")
	Backlight	LED
	MTBF (hour)	30000hrs
	Pixel Pitch (HxV)	0.294x0.294
	Luminance(cd/m2)	250cd/m2
	Contrast Ratio	1000:1
	Viewing Angle	(L) 85/ (R) 85/ (U) 80/ (D) 80
Touchscreen	Touch Type	Single point resistive touchscreen & Multi-point capacitive touchscreen & Non-touch screen
	Light Transmission	>85%
	Controller	USB interface
	Driver Support	Windows7, Window8, Windows10, Windows11, Linux, etc
	Multi-touch	10 points
	Surface Hardness	Resistive touchscreen: Mohs' Number >= 3H; Capacitive touchscreen: Mohs' Number 7H
Environment	Operating Temperature	0~50°C
	Storage Temperature	-20~60°C
	Relative Humidity	5~95% (Non condensation)
	Shock	Operating 10G peak acceleration(11 ms duration), follow IEC 60068-2-27
	Vibration	Operating Random Vibration Test 5~500Hz, 1Grms@with HDD; 2Grms@with SSD, follow IEC 60068-2-64
	EMC	CE/FCC Class A
Protection level	IP65	

# IDD57190 & IDD58190 & IDD59190

## Technical Drawings unit: mm



## External I/O View



Note: The figure above shows the number of standard buttons. The number and brand of buttons can be customized.

## Ordering Information

Part Number	Description
IDD58190	19" TFT LCD / Resistive touch screen / DC9~36V Input / Resolution 1280x1024
IDD59190	19" TFT LCD / Capacitive touch screen / DC9~36V Input / Resolution 1280x1024
IDD57190	19" TFT LCD / Non-touch screen / DC9~36V Input / Resolution 1280x1024

## Optional Accessories

VGA	VGA 3m / 5m
DVI	DVI 3m / 5m / 8m / 10m
USB	USB 3m / 5m / 10m
HDMI	HDMI 3m / 5m / 10m

## Packing List

Terminal	3 pin spring card terminal
----------	----------------------------

Note: Package contents are subject to change without prior notice



Powerful. Beautiful.

**Excellence · Innovation**

IDD50215

IDD51215

IDD52215



\*front-screen button: the right side. widescreen button: the lower side

**Shanghai Panelmate Electronics Co., Ltd.**

21.5" FHD Industrial Arm-Mounted Operation Panel

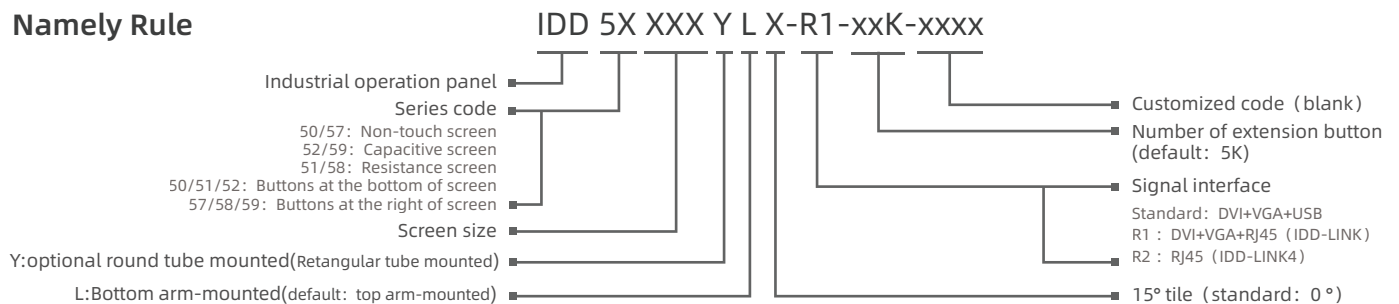
**PANELMATE**  
Creative HMI Solution



## Features

- Display type: 15", 15.6", 18.5", 19", 21.5", 24"
- Front panel/back cover: Aluminium-magnesium alloy
- IP protection level: IP65
- Screen Type: Single point resistive touchscreen, Multi-point capacitive touchscreen, Non-touch screen
- OS: Windows7, Window8, Windows10, Windows11, Linux, etc
- Interface: DVI, HDMI, VGA, 2xUSB
- Optional R1(IDD-LINK), Long distance USB signal output, support 50m
- Optional R2(IDD-LINK4), Video and USB are transmitted via a single CAT6 network cable, Transmission distance up to 100m
- DC 9~36V
- Customized LOGO and button

## Namely Rule

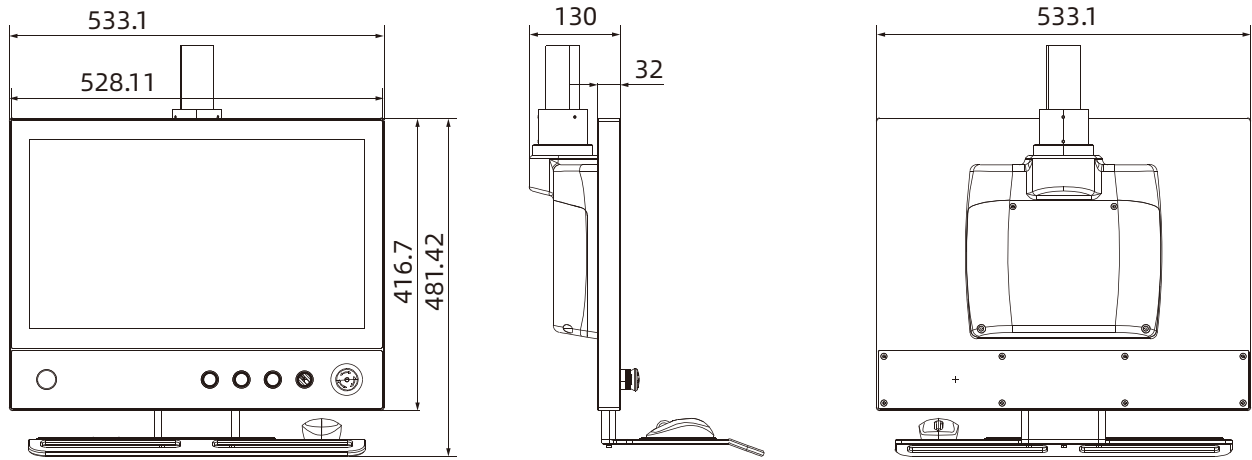


## Specifications

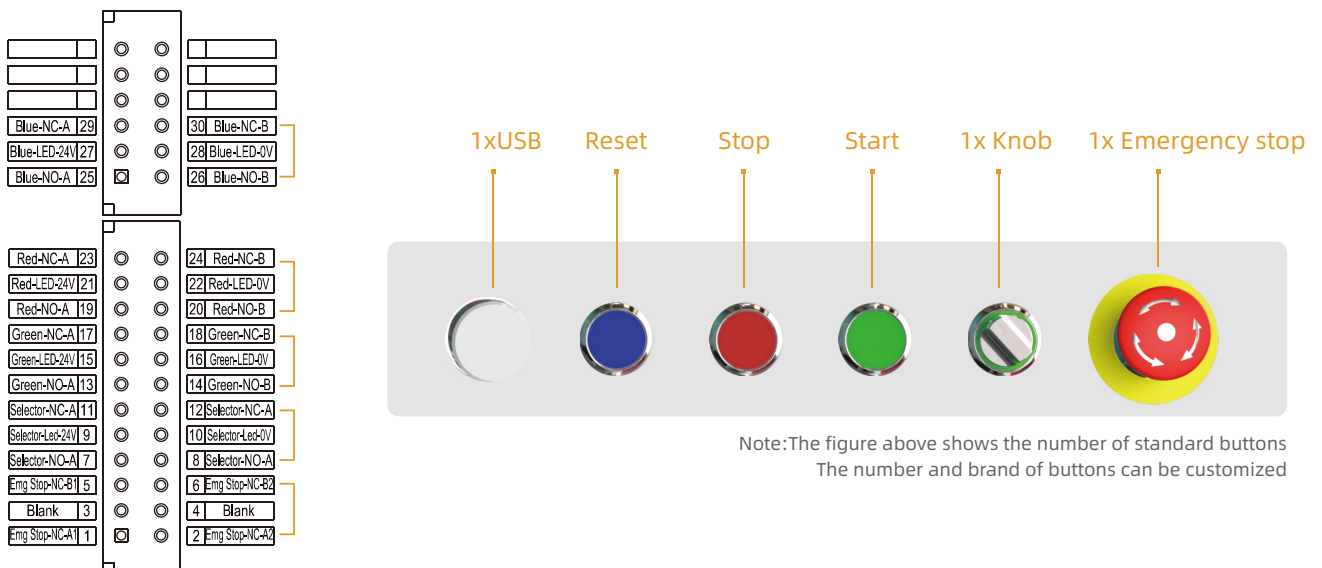
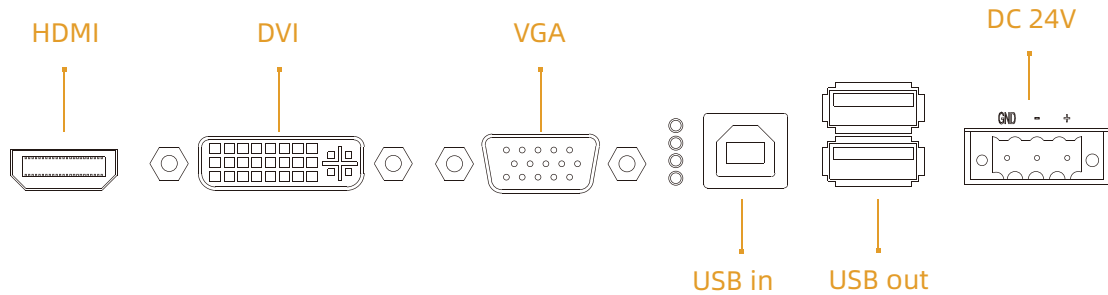
Model	IDD50215&IDD51215&IDD52215	
Routine	Control button	Set contrast ratio and luminance via OSD at the back cover
	Housing	Front panel & back cover: Aluminium-magnesium alloy, Grounding isolation protection
Power	Input Voltage	DC 9~36V
	Power	20W
Physical	Display Port	HDMI
	Dimension (WxHxD)	(Keyboard bay not included) 533.1mm x 416.7mm x 130mm (20.99" x 16.41" x 5.12")
	Net Weight(kg)	(Keyboard bay not included) 10.7kg
	Mounted	4460 or 48 arm-mounted
LCD	Display Type	21.5" FHD TFT
	Resolution	1920x1080
	Colors	16.7M
	Active Area (WxH/mm)	476.64mmx268.11mm (18.77"x10.56")
	Backlight	LED
	MTBF (hour)	30000hrs
	Pixel Pitch (HxV)	0.24825x0.24825
	Luminance(cd/m2)	250cd/m2
	Contrast Ratio	3000:1
	Viewing Angle	(L) 89/ (R) 89/ (U) 89/ (D) 89
Touchscreen	Touch Type	Single point resistive touchscreen & Multi-point capacitive touchscreen & Non-touch screen
	Light Transmission	>85%
	Controller	USB interface
	Driver Support	Windows7, Window8, Windows10, Windows11, Linux, etc
	Multi-touch	10 points
	Surface Hardness	Resistive touchscreen: Mohs' Number >= 3H; Capacitive touchscreen: Mohs' Number 7H
Environment	Operating Temperature	0~50°C
	Storage Temperature	-20~60°C
	Relative Humidity	5~95% (Non condensation)
	Shock	Operating 10G peak acceleration(11 ms duration), follow IEC 60068-2-27
	Vibration	Operating Random Vibration Test 5~500Hz, 1Grms@with HDD; 2Grms@with SSD, follow IEC 60068-2-64
	EMC	CE/FCC Class A
Protection level	IP65	

# IDD50215 & IDD51215 & IDD52215

## Technical Drawings unit: mm



## External I/O View



Note: The figure above shows the number of standard buttons. The number and brand of buttons can be customized.

## Ordering Information

Part Number	Description
IDD51215	21.5" TFT LCD / Resistive touch screen / DC9~36V Input / Resolution 1920x1080
IDD52215	21.5" TFT LCD / Capacitive touch screen / DC9~36V Input / Resolution 1920x1080
IDD50215	21.5" TFT LCD / Non-touch screen / DC9~36V Input / Resolution 1920x1080

## Optional Accessories

VGA	VGA 3m / 5m
DVI	DVI 3m / 5m / 8m / 10m
USB	USB 3m / 5m / 10m
HDMI	HDMI 3m / 5m / 10m

## Packing List

Terminal	3 pin spring card terminal
----------	----------------------------

Note: Package contents are subject to change without prior notice

Powerful. Beautiful.

**Excellence · Innovation**

IDD50240

IDD52240



\*front-screen button: the right side. widescreen button: the lower side

**Shanghai Panelmate Electronics Co., Ltd.**

24" FHD Industrial Arm-Mounted Operation Panel

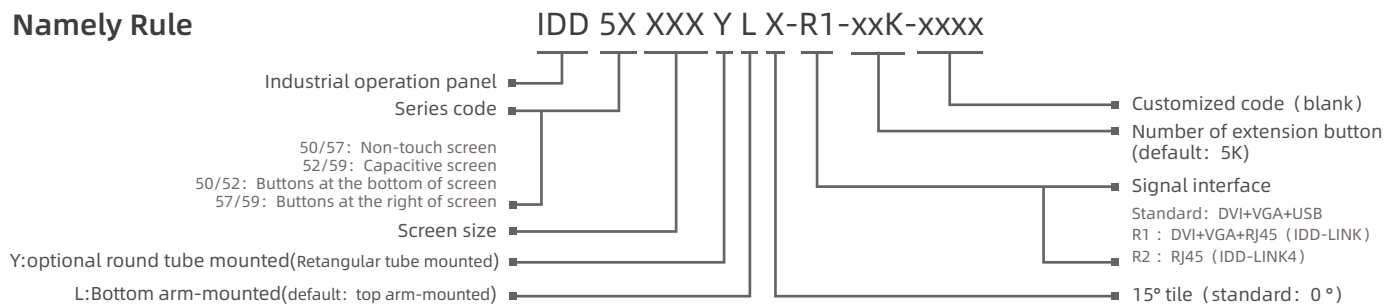
## IDD50240 & IDD52240



### Features

- Display type: 15", 15.6", 18.5", 19", 21.5", 24"
- Front panel/back cover: Aluminium-magnesium alloy
- IP protection level: IP65
- Screen Type: Single point resistive touchscreen, Multi-point capacitive touchscreen, Non-touch screen
- OS: Windows7, Window8, Windows10, Windows11, Linux, etc
- Interface: DVI, HDMI, VGA, 2xUSB
- Optional R1(IDD-LINK), Long distance USB signal output, support 50m
- Optional R2(IDD-LINK4), Video and USB are transmitted via a single CAT6 network cable, Transmission distance up to 100m
- DC 9~36V
- Customized LOGO and button

### Namely Rule

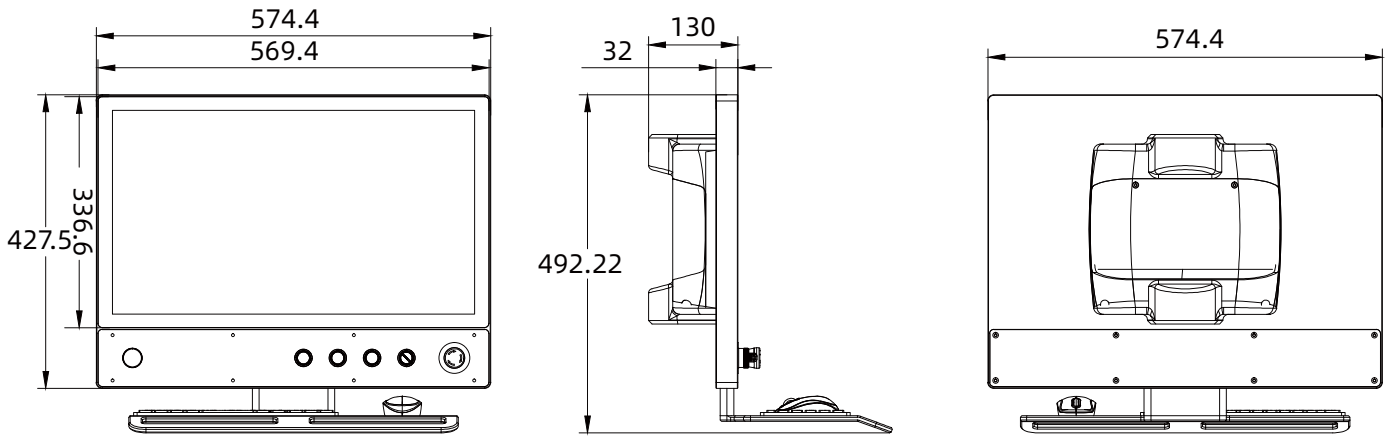


### Specifications

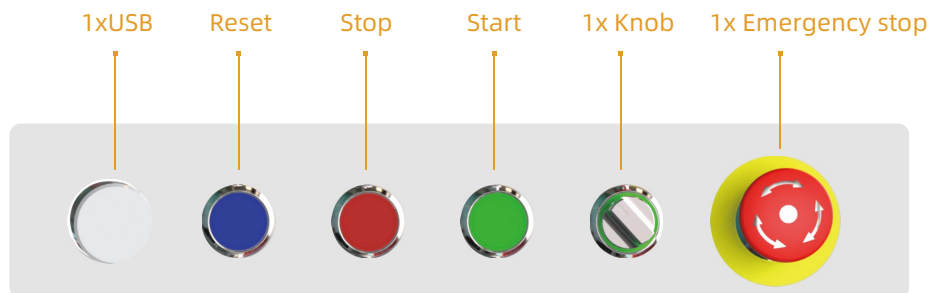
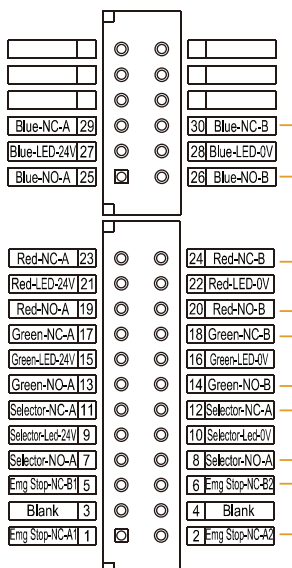
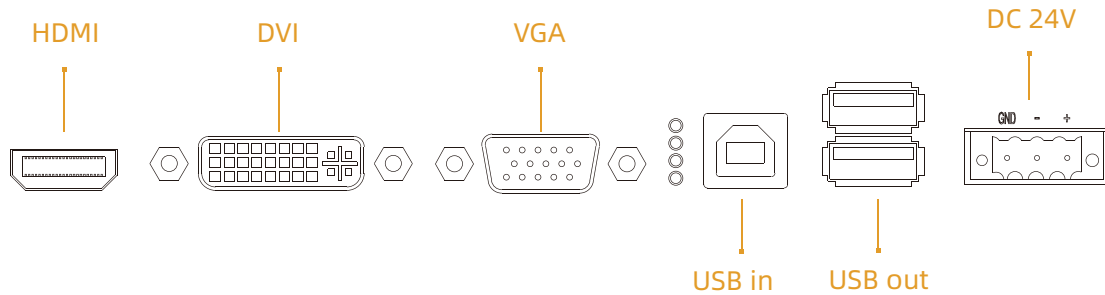
Model	IDD50240&IDD52240	
Routine	Control button	Set contrast ratio and luminance via OSD at the back cover
	Housing	Front panel & back cover: Aluminium-magnesium alloy, Grounding isolation protection
Power	Input Voltage	DC 9~36V
	Power	22W
Physical	Display Port	HDMI
	Dimension (WxHxD)	(Keyboard bay not included) 574.4 x 427.5 x 130mm
	Net Weight(kg)	(Keyboard bay not included) 12.45kg
	Mounted	4460 or 48 arm-mounted
LCD	Display Type	24" FHD TFT
	Resolution	1920x1080
	Colors	16.7M
	Active Area (WxH/mm)	527.04mmx296.46mm
	Backlight	LCD
	MTBF (hour)	30000hrs
	Pixel Pitch (HxV)	0.2745x0.2745
	Luminance(cd/m2)	250cd/m2
	Contrast Ratio	3000:1
	Viewing Angle	(L) 89/ (R) 89/ (U) 89/ (D) 89
Touchscreen	Touch Type	Multi-point capacitive touchscreen & Non-touch screen
	Light Transmission	>85%
	Controller	USB interface
	Driver Support	Windows7, Window8, Windows10, Windows11, Linux, etc
	Multi-touch	10 points
	Surface Hardness	Capacitive touchscreen: Mohs' Number 7H
Environment	Operating Temperature	0~50°C
	Storage Temperature	-20~60°C
	Relative Humidity	5~95% (Non condensation)
	Shock	Operating 10G peak acceleration(11 ms duration), follow IEC 60068-2-27
	Vibration	Operating Random Vibration Test 5~500Hz, 1Grms@with HDD;2Grms@with SSD, follow IEC 60068-2-64
	EMC	CE/FCC Class A
	Protection level	IP65

# IDD50240 & IDD52240

## Technical Drawings unit: mm



## External I/O View



Note: The figure above shows the number of standard buttons. The number and brand of buttons can be customized.

## Ordering Information

Part Number	Description
IDD52240	24" TFT LCD / Capacitive touch screen / DC9~36V Input / Resolutio 1920x1080
IDD50240	24" TFT LCD / Non-touch screen / DC9~36V Input / Resolution 1920x1080

## Optional Accessories

VGA	VGA 3m / 5m
DVI	DVI 3m / 5m / 8m / 10m
USB	USB 3m / 5m / 10m
HDMI	HDMI 3m / 5m / 10m

## Packing List

Terminal	3 pin spring card terminal
----------	----------------------------

Note: Package contents are subject to change without prior notice



# PANELMATE

Creative HMI Solution



**Panelmate Türkiye Distribütörü**  
**ICC Dijital Endüstriyel Teknolojiler Ltd. Şti.**

 **+90 216 510 6696**

**Osmangazi Mahallesi Atayolu Caddesi No:108 Gate Of Anatolia Ticari Blok Ofis 1**  
**Sancaktepe / İstanbul / Türkiye**